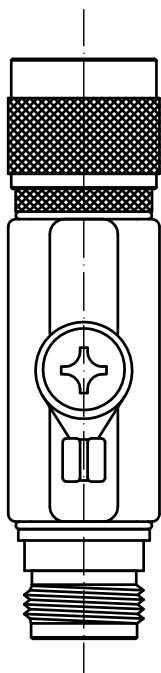


REV	DATE	DESCRIPTION	DRAWN
1			

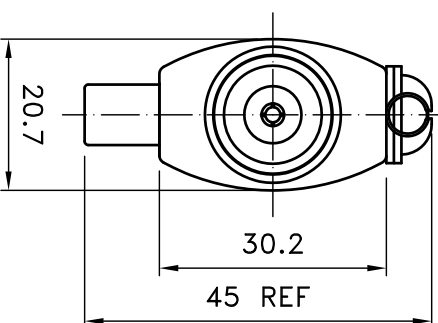


5/8-24UNEF

75.7 REF

40.5

5/8-24UNEF



SPECIFICATIONS:

*BODY:ALUMINUM(6061)/BLACK MATT FINISH

*CONNECTOR:

N MALE/BRASS/NICKEL PLATED

N FEMALE/BRASS/NICKEL PLATED

CONTACT/BRASS/GOLD PLATED

INSULATOR/TEFLON

*FREQUENCY RANGE:3GHZ

*V.S.W.R:d.1GHZ~2GHZ LESS THAN 1.2

b.2GHZ~3GHZ LESS THAN 1.5

*INSERTION LOSS:LESS THAN 0.2DB

*DC BREAKDOWN VOLTAGE:DC90V±20%

*TOLERANCE OF DCBV: ±15%

*IMPULSE BREAKDOWN VOLTAGE@1KV/us: ≤700V 5KV/MAX

*AC DISCHARGE CURRENT@50HZ:10A

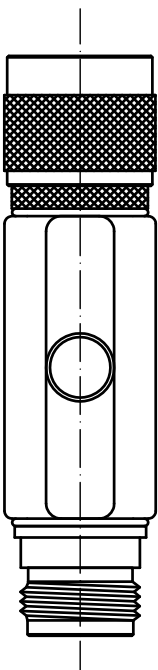
*Surge Discharge Current:

100A(10/1000 μs,300times with 3mins interval)

10KA (8/20 μs,10times with 3mins interval)

*INSULATION RESISTANCE: ≥10000Mohm

*ELECTRODE CAPACITANCE@1MHZ: ≤1.5



NOTE

- 1.STRIP ALL BURRS.
- 2.ALL DIMENSIONS ARE AFTER PLATING.
- 3.DIAMETERS ON COMMON CENTERS, TO BE CONCENTRIC WITHIN 0.1 T.I.R
- 4.CHAMFER 1ST & LAST BREAK ALL CORNERS & EDGES CO.15 MAX.

DIMENSION

UNLESS OTHERWISE NOTED TOLERANCES
 X=±0.3
 O.X=±0.2
 O.XX=±0.1



華耀科技有限公司
 Huua Yao Technologies co.,Ltd

TITLE
 LIGHTNING PROTECTOR

DRAWING NO.
 LP-01

APPROVED

CHECKED

DRAWN

DRAWN DATE
 01/21/11

SCALE
 1:1

UNIT
 mm

DRAWN
 ALICE